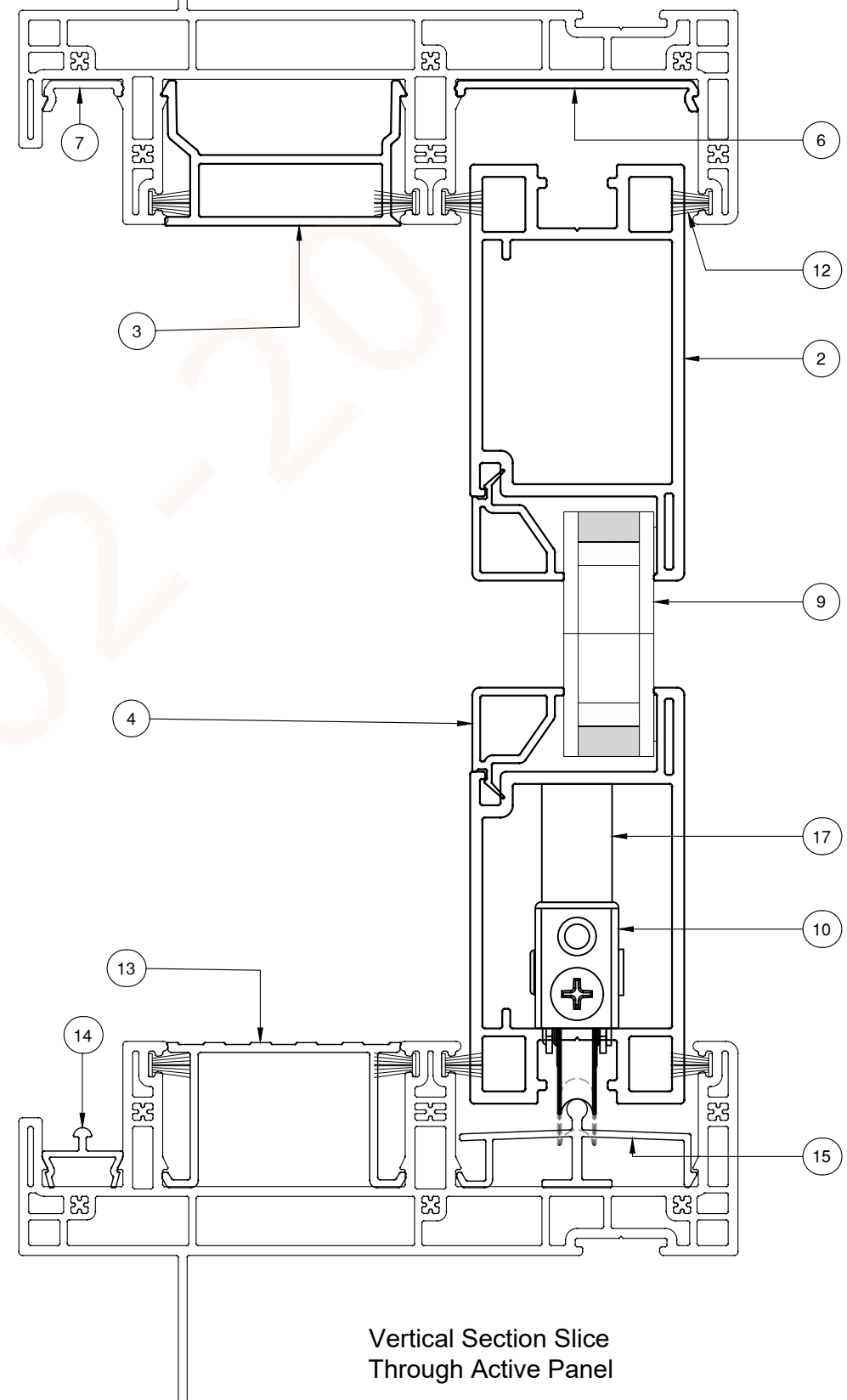
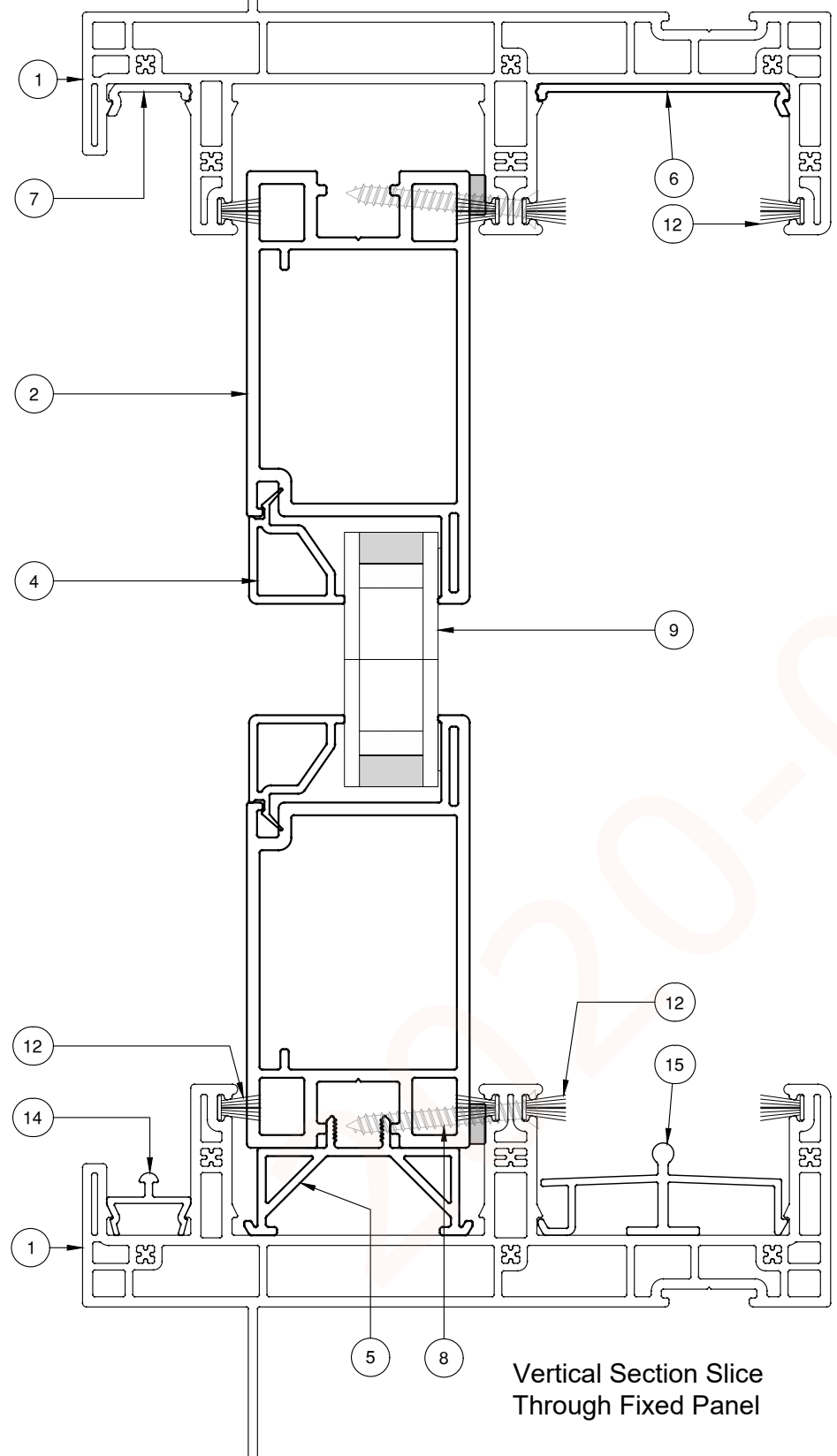


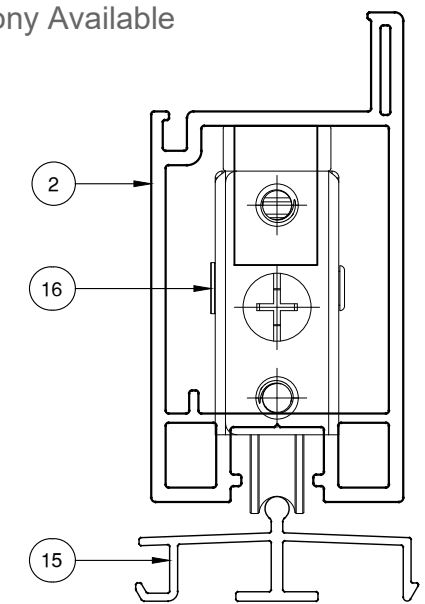
# 425-L200-V\_B4

REV.	DESCRIPTION	Date	BY
A1	First Issue	2019-06-11	gmc
B1	Updated components & Notes	2019-08-20	gmc
B2	Corrected Roller Track Part Number	2019-10-30	gmc
B3	Replaced 2719 Frame with 2753	2020-01-28	gmc
B4	Updated rollers & Screw locations	2021-01-14	gmc



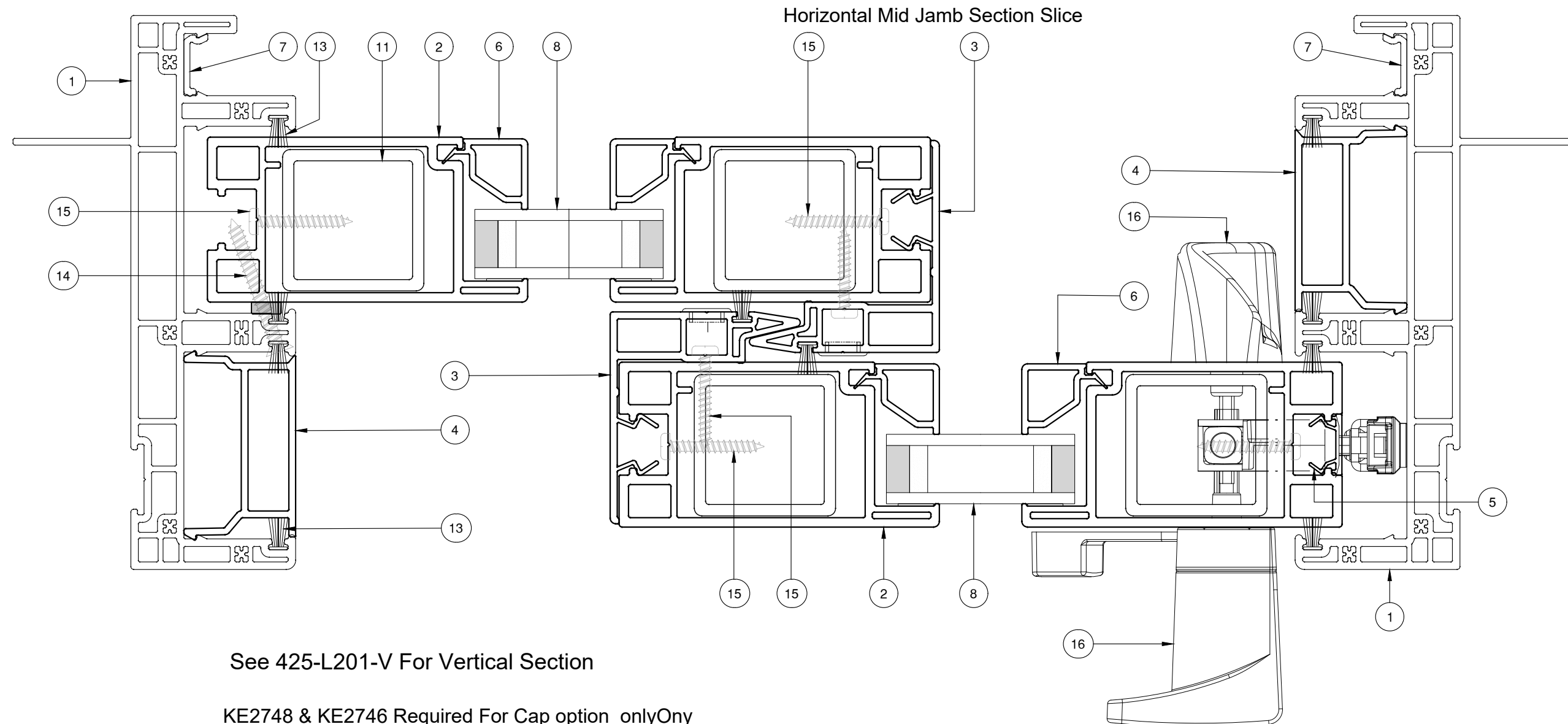
Parts List				
ITEM	NAME	DESCRIPTION	MATERIAL	VENDOR
1	KE2753-425-D118_D1	Main Frame 2 Track	rPVC	EFS
2	KE2498-425-D50_cap	Sash	rPVC	EFS
3	KE2717-425-D103	Inside Pocket Filler	rPVC	EFS
4	KE2744-425-D113	Glass Stop	rPVC	EFS
5	R1837-425-D13	Outside Cover Receiver	rPVC	EFS
6	KE2747-425-D116	Inside Pocket Cover	rPVC	EFS
7	KE2746-425-D119	Screen Track Cover	rPVC	EFS
8	*U166	#8 x 1.5" FH Screw	SS	TBD
9	IG_750_ss	IG 3/4" OA	Per Spec	TBD
10	1976-PRSS-150-SS-Quad	Quad Roller	Per Spec	Cust Hrdwr
11	Bumper Spacer	Stick On Bumper	Per Spec	TBD
12	WS_188 x .340	Pile Weatherstrip	Per Spec	TBD
13	425-A12_rev_a3	Sill Pocket Cover	Aluminum	TBD
14	425-A20	Aluminum Screen Track	Aluminum	TBD
15	425-A17	Roller Track	Auminum	TBD
16	SS4650DSPA	Roller - Anthony	Per Spec	Anthony
17	Roller Spacer	For Custom Quad Roller	Per Spec	TBD

KE2748 & KE2746 Required For Cap option only  
 Dual & Quad Rollers From Custom & Anthony Available



CUSTOMER: EFS		Project: 425 Catalog	DRAWN: gmc	Layout/Drawing Name: 425-L200-V_B4	
TITLE: Medium Sash Vertical Section			CHECKED:	PART:	DIE NUMBER:
SHEET: B	MATERIAL: As Noted	DATE: 2019-06-11	SCALE: 0.75:1	Series: 425	SHEET: /
				ACAD:	425_Cda Version (002).dwg

REV.	DESCRIPTION	Date	BY
A1	First Issue	2019-06-11	gmc
B1	Updated components & Notes	2019-08-20	gmc
B2	Swapped inside pocket cover to KE2717	2019-09-20	gmc
B3	Replaced 2719 Frame with 2753	2020-01-28	gmc
B4	Updated locks & Screw locations	2021-01-14	gmc



See 425-L201-V For Vertical Section

KE2748 & KE2746 Required For Cap option only

Parts List									
ITEM	NAME	DESCRIPTION	MATERIAL	VENDOR	ITEM	NAME	DESCRIPTION	MATERIAL	VENDOR
1	KE2753-425-D118_D1	Main Frame 2 Track	rPVC	EFS	9	Bumper Spacer	Stick On Bumper	Per Spec	TBD
2	KE2498-425-D50_cap	Sash	rPVC	EFS	10	*U172	#6 x 7/8" PH ST SS	SS	TBD
3	KE2545-425-D55	Sash Interlock	rPVC	EFS	11	425-S50	Stiffener For KE2498	Steel	TBD
4	KE2717-425-D103	Inside Pocket Filler	rPVC	EFS	12	Plug 375	3/8" Hole Plug	HDPE	TBD
5	KE2743-425-D112	Filler Strip	rPVC	EFS	13	WS_188 x .340	Pile Weatherstrip	Per Spec	TBD
6	KE2744-425-D113	Glass Stop	rPVC	EFS	14	*U166	#8 x 1.5" FH Screw	SS	TBD
7	KE2746-425-D119	Screen Track Cover	rPVC	EFS	15	*U574	#6 x 1" PH SS Screw	SS	TBD
8	IG_750_ss	IG 3/4" OA	Per Spec	TBD	16	PS01-7323	Interlock	Per Spec	Interlock USA

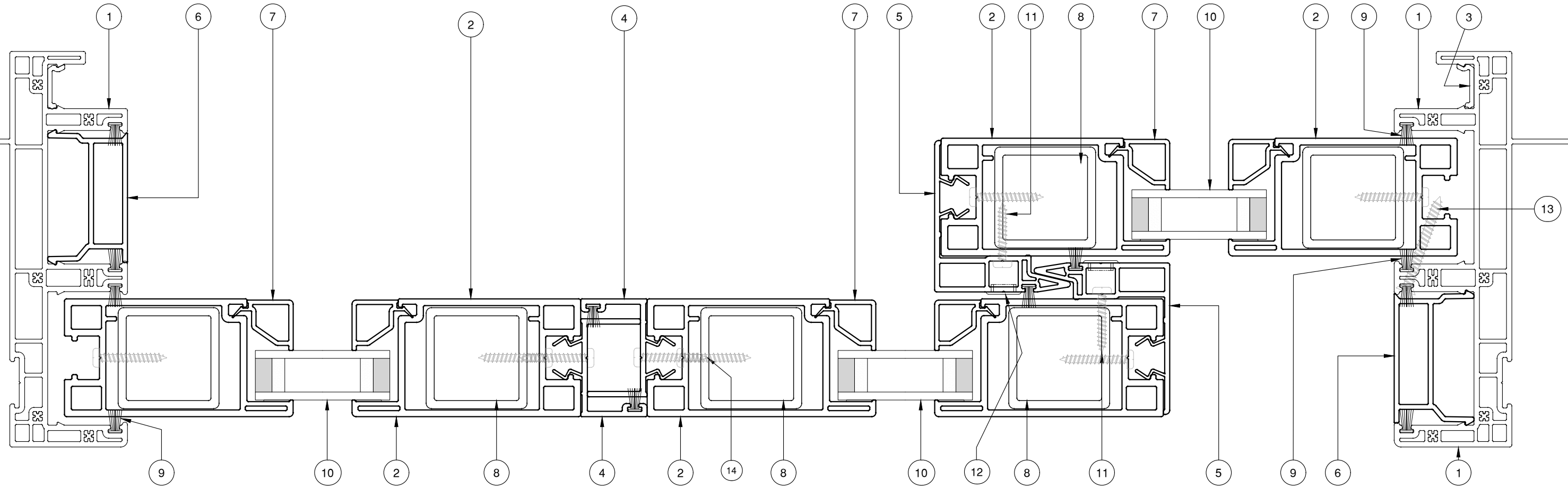
425-L200-H



CUSTOMER: EFS		Project: 425 Catalog	DRAWN: gmc	Layout/Drawing Name: 425-L200-H		
TITLE: Medium Sash XO Horizontal Section		CHECKED:		PART:	DIE NUMBER:	ACAD:
SHEET: B	MATERIAL: As Noted	DATE: 2019-06-11	SCALE: 0.8:1	Series: 425	SHEET: /	425_Cda Version (002).dwg

# 425-L220-H

REV.	DESCRIPTION	Date	BY
A1	First Issue	2019-06-11	gmc
B1	Updated components & Notes	2019-08-20	gmc
B3	Replaced 2719 Frame with 2753	2020-01-28	gmc
B4	Fixed Parts List Structure	2020-11-11	gmc



Horizontal Mid Jamb Section Slice

Parts List									
ITEM	NAME	DESCRIPTION	MATERIAL	VENDOR	ITEM	NAME	DESCRIPTION	MATERIAL	VENDOR
1	KE2753-425-D118_D1	Main Frame 2 Track	rPVC	EFS	9	WS_188 x .340	Pile Weatherstrip	Per Spec	TBD
2	KE2498-425-D50_cap	Sash	rPVC	EFS	10	IG_750_ss	IG 3/4" OA	Per Spec	TBD
3	KE2746-425-D119	Screen Track Cover	rPVC	EFS	11	*U172	#6 x 7/8" PH ST SS	SS	TBD
4	KE2765-425-D122	OXXO Astragal - Deep	rPVC	EFS	12	Plug 375	3/8" Hole Plug	HDPE	TBD
5	KE2545-425-D55	Sash Interlock	rPVC	EFS	13	*U166	#8 x 1.5" FH Screw	SS	TBD
6	KE2717-425-D103	Inside Pocket Filler	rPVC	EFS	14	*U169	#6 x 3/4" ST SS Screw	SS	TBD
7	KE2744-425-D113	Glass Stop	rPVC	EFS	15	*U574	#6 x 1" PH SS Screw	SS	TBD
8	425-S50	Stiffener For KE2498	Steel	TBD					

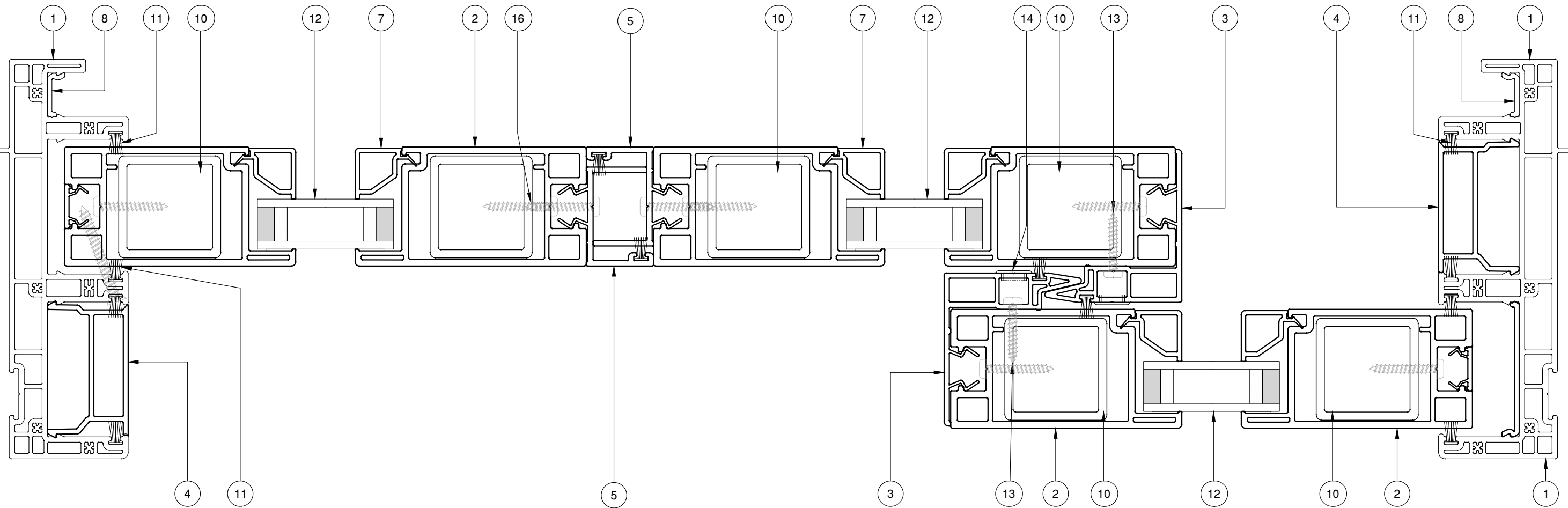
See 425-L200-V For Vertical Section



CUSTOMER: EFS				Project: 425 Catalog		DRAWN: gmc		Layout/Drawing Name: 425-L220-H	
TITLE: Medium Sash OXO Alt Horizontal Section				CHECKED:		PART:		DIE NUMBER: ACAD:	
SHEET: B	MATERIAL: As Noted	DATE: 2019-06-11	SCALE: 0.66:1	Series: 425	SHEET: /	425_Cda Version (002).dwg			

# 425-L230-H

REV.	DESCRIPTION	Date	BY
A1	First Issue	2019-06-11	gmc
B1	Updated components & Notes	2019-08-20	gmc
B3	Replaced 2719 Frame with 2753	2020-01-28	gmc
B4	Fixed Parts List Structure	2020-11-11	gmc



Horizontal Mid Jamb Section Slice

Parts List									
ITEM	NAME	DESCRIPTION	MATERIAL	VENDOR	ITEM	NAME	DESCRIPTION	MATERIAL	VENDOR
1	KE2753-425-D118_D1	Main Frame 2 Track	rPVC	EFS	10	425-S50	Stiffener For KE2498	Steel	TBD
2	KE2498-425-D50_cap	Sash	rPVC	EFS	11	WS_188 x .340	Pile Weatherstrip	Per Spec	TBD
3	KE2545-425-D55	Sash Interlock	rPVC	EFS	12	IG_750_ss	IG 3/4" OA	Per Spec	TBD
4	KE2717-425-D103	Inside Pocket Filler	rPVC	EFS	13	*U172	#6 x 7/8" PH ST SS	SS	TBD
5	KE2765-425-D122	OXXO Astragal - Deep	rPVC	EFS	14	Plug 375	3/8" Hole Plug	HDPE	TBD
6	KE2743-425-D112	Filler Strip	rPVC	EFS	15	*U166	#8 x 1.5" FH Screw	SS	TBD
7	KE2744-425-D113	Glass Stop	rPVC	EFS	16	*U169	#6 x 3/4" ST SS Screw	SS	TBD
8	KE2746-425-D119	Screen Track Cover	rPVC	EFS	17	*U574	#6 x 1" PH SS Screw	SS	TBD
9	KE2747-425-D116	Inside Pocket Cover	rPVC	EFS					

See 425-L100-V For Vertical Section

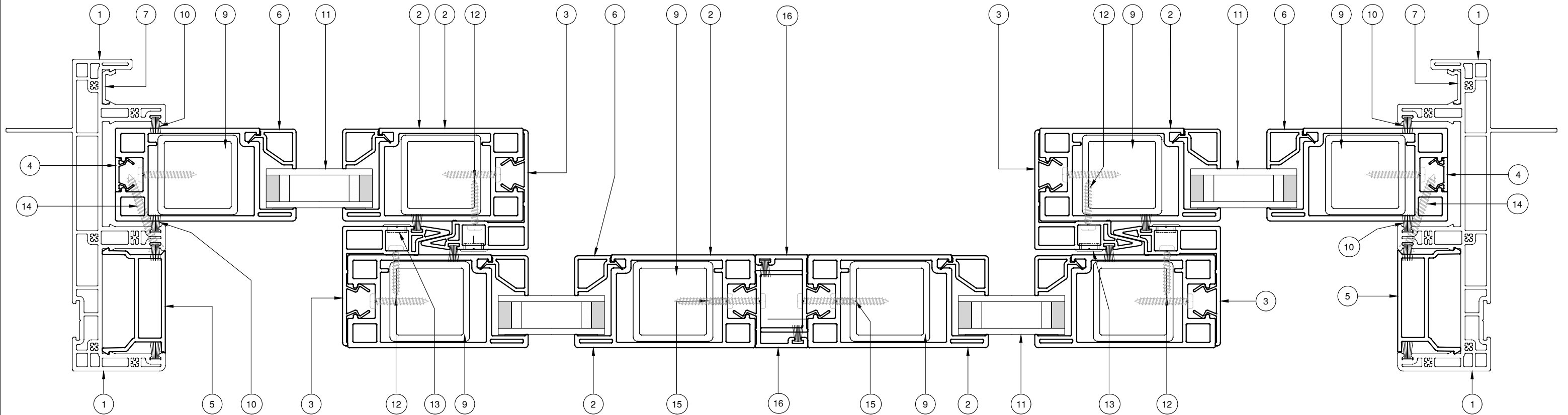
KE2747 Required For Cap option Ony



CUSTOMER: EFS				Project: 425 Catalog		DRAWN: gmc		Layout/Drawing Name: 425-L230-H	
TITLE: Medium Sash XO0 Horizontal Section				SHEET: B		CHECKED: /		PART: /	
MATERIAL: As Noted		DATE: 2019-06-11		SCALE: 0.66:1		Series: 425		ACAD: 425_Cda Version (002).dwg	

# 425-L240-H

REV.	DESCRIPTION	Date	BY
A1	First Issue	2019-06-11	gmc
B1	Updated components & Notes	2019-08-20	gmc
B2	Replaced 2719 Frame with 2753	2020-01-28	gmc
B4	Fixed Parts List Structure	2020-11-11	gmc



Horizontal Mid Jamb Section Slice

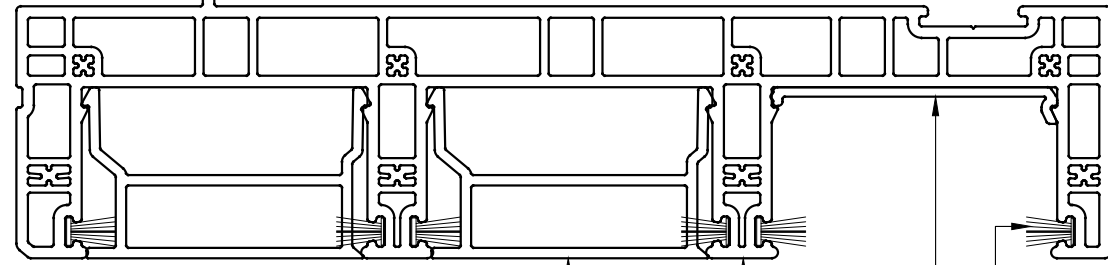
Parts List									
ITEM	NAME	DESCRIPTION	MATERIAL	VENDOR	ITEM	NAME	DESCRIPTION	MATERIAL	VENDOR
1	KE2753-425-D118_D1	Main Frame 2 Track	rPVC	EFS	10	WS_188 x .340	Pile Weatherstrip	Per Spec	TBD
2	KE2498-425-D50_cap	Sash	rPVC	EFS	11	IG_750_ss	IG 3/4" OA	Per Spec	TBD
3	KE2545-425-D55	Sash Interlock	rPVC	EFS	12	*U172	#6 x 7/8" PH ST SS	SS	TBD
4	KE2743-425-D112	Filler Strip	rPVC	EFS	13	Plug 375	3/8" Hole Plug	HDPE	TBD
5	KE2717-425-D103	Inside Pocket Filler	rPVC	EFS	14	*U166	#8 x 1.5" FH Screw	SS	TBD
6	KE2744-425-D113	Glass Stop	rPVC	EFS	15	*U169	#6 x 3/4" ST SS Screw	SS	TBD
7	KE2746-425-D119	Screen Track Cover	rPVC	EFS	16	KE2765-425-D122	OXXO Astragal - Deep	rPVC	EFS
9	425-S50	Stiffener For KE2498	Steel	TBD	17	*U574	#6 x 1" PH SS Screw	SS	TBD

See 425-L100-V For Vertical Section



CUSTOMER:		EFS		Project	425 Catalog	DRAWN:	gmc	Layout/Drawing Name		425-L240-H
TITLE:		Medium Sash OXXO Horizontal Section								
SHEET:	MATERIAL:	DATE:	SCALE:	Series	CHECKED:					
B	As Noted	2019-06-11	0.55:1	425	/	PART:	DIE NUMBER:	ACAD:	425_Cda Version (002).dwg	

REV.	DESCRIPTION	Date	BY
A1	First Issue	2019-06-12	gmc
B1	Updated components & Notes	2019-08-20	gmc
B2	Corrected Roller Track Part Number	2019-10-30	gmc
B3	Added Custom Hardware Option	2019-12-11	gmc

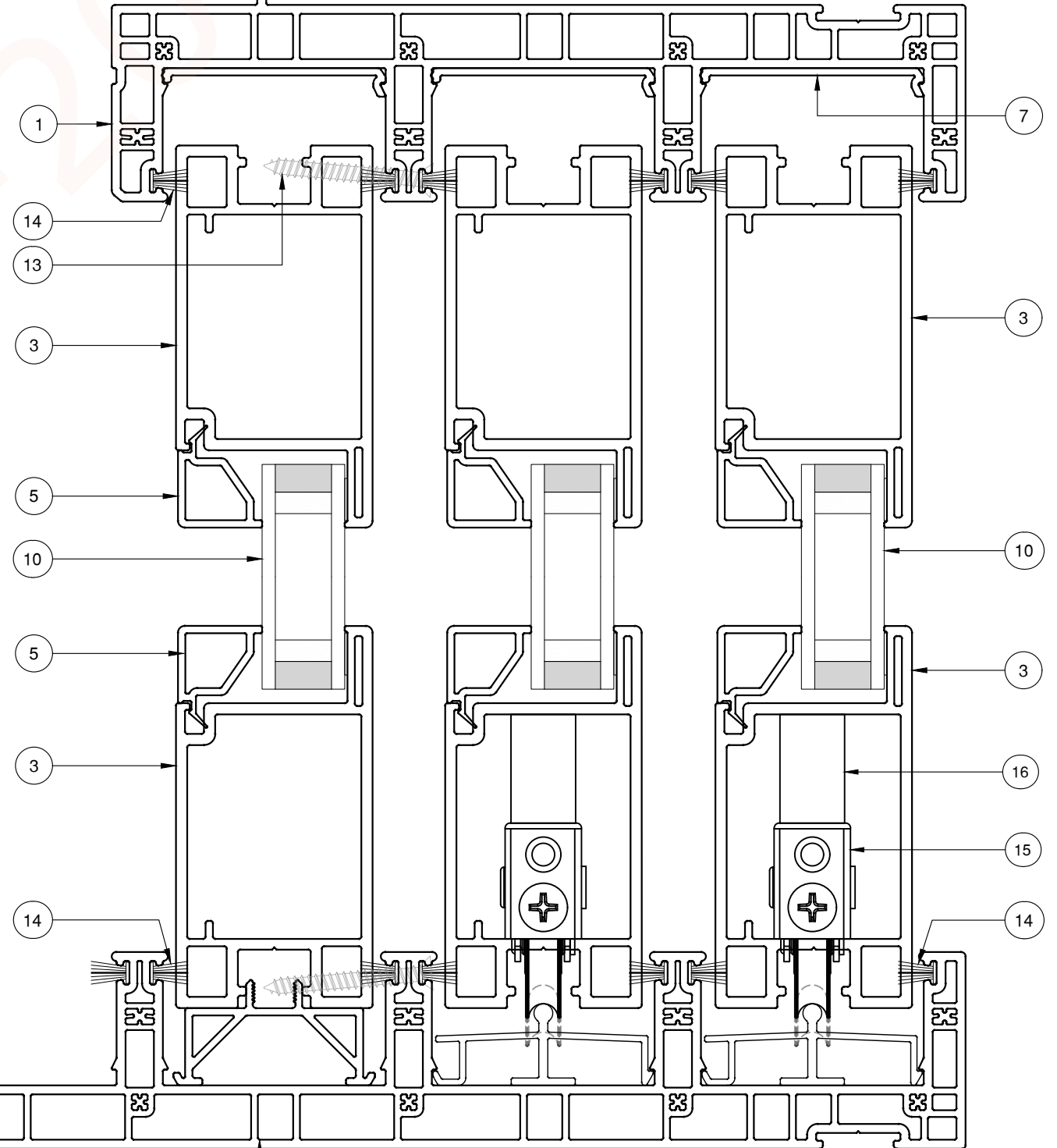
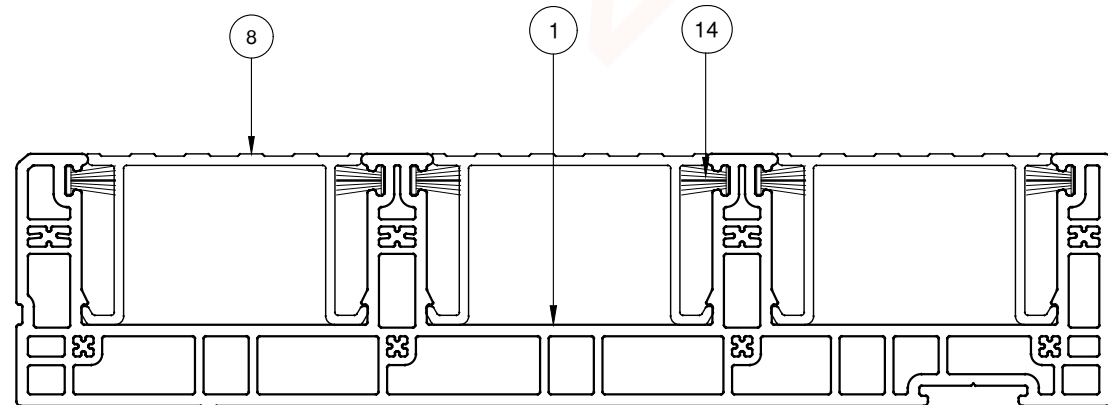


Pocket Covers To Go Between Closed Sash Stiles and Lock Jamb

Parts List				
ITEM	NAME	DESCRIPTION	MATERIAL	VENDOR
1	KE2720-425-D105	Main Frame - 3 Track	rPVC	EFS
2	KE2722-425-107	Main Frame - 4 Track	rPVC	EFS
3	KE2498-425-D50_cap	Sash	rPVC	EFS
4	R1837-425-D13	Outside Cover Receiver	rPVC	EFS
5	KE2744-425-D113	Glass Stop	rPVC	EFS
6	KE2717-425-D103	Inside Pocket Filler	rPVC	EFS
7	KE2747-425-D116	Inside Pocket Cover	rPVC	EFS
8	425-A12_rev	Sill Pocket Cover	Aluminum	TBD
9	425-A17	Roller Track	Auminum	TBD
10	IG_750_ss	IG 3/4" OA	Per Spec	TBD
13	*U166	#8 x 1.5" FH Screw	SS	TBD
14	WS_188 x .340	Pile Weatherstrip	Per Spec	TBD
15	1976-PRSS-150-SS-Quad	Quad Roller	Per Spec	Cust Hrdwr
16	Roller Spacer	For Custom Quad Roller	Per Spec	TBD

Aluminum Sill Pocket Covers To Go Between Closed Sash Stiles and Lock Jamb

KE2747 Required For Cap option Only



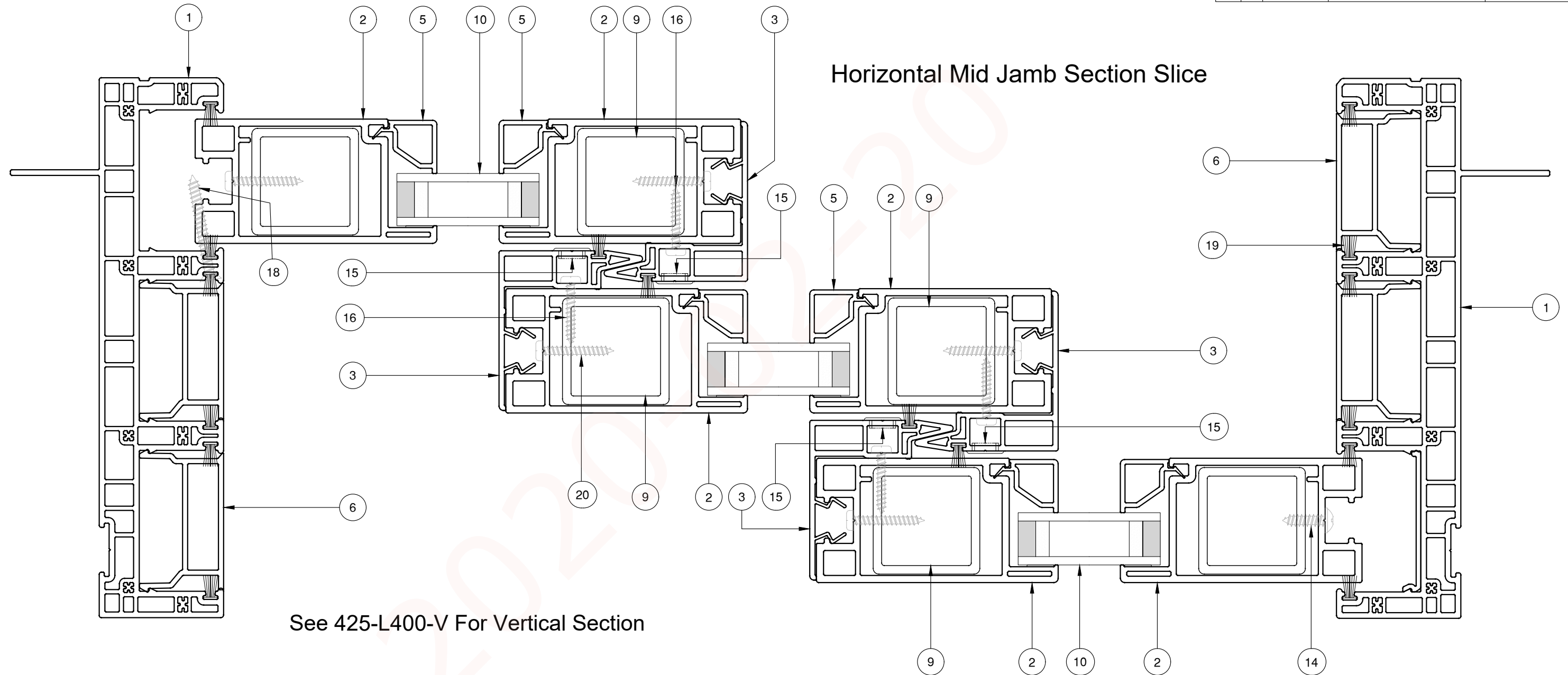
Dual & Quad Rollers From Custom & Anthony Available

425-L400-V



CUSTOMER: EFS		Project 425 Catalog		DRAWN: gmc		Layout/Drawing Name	
TITLE: Medium Sash Vertical Section				CHECKED:		425-L400-V	
SHEET: B	MATERIAL: As Noted	DATE: 2019-06-12	SCALE: 0.75:1	Series 425	SHEET: /	PART:	DIE NUMBER: ACAD: 425_Cda Version (002).dwg

REV.	DESCRIPTION	Date	BY
A1	First Issue	2019-06-12	gmc
B1	Updated components & Notes	2019-08-20	gmc



See 425-L400-V For Vertical Section

Parts List									
ITEM	NAME	DESCRIPTION	MATERIAL	VENDOR	ITEM	NAME	DESCRIPTION	MATERIAL	VENDOR
1	KE2720-425-D105	Main Frame - 3 Track	rPVC	EFS	10	IG_750_ss	IG 3/4" OA	Per Spec	TBD
2	KE2498-425-D50_cap	Sash	rPVC	EFS	14	#8 x .5 Flange Head	#8 x .5 Screw	SS	TBD
3	KE2545-425-D55	Sash Interlock	rPVC	EFS	15	Plug 375	3/8" Hole Plug	HDPE	TBD
5	KE2744-425-D113	Glass Stop	rPVC	EFS	16	*U172	#6 x 7/8" PH ST SS	SS	TBD
6	KE2717-425-D103	Inside Pocket Filler	rPVC	EFS	18	*U166	#8 x 1.5" FH Screw	SS	TBD
7	KE2747-425-D116	Inside Pocket Cover	rPVC	EFS	19	WS_188 x .340	Pile Weatherstrip	Per Spec	TBD
9	425-S50	Stiffener For KE2498	Steel	TBD	20	*U574	#6 x 1" PH SS Screw	SS	TBD

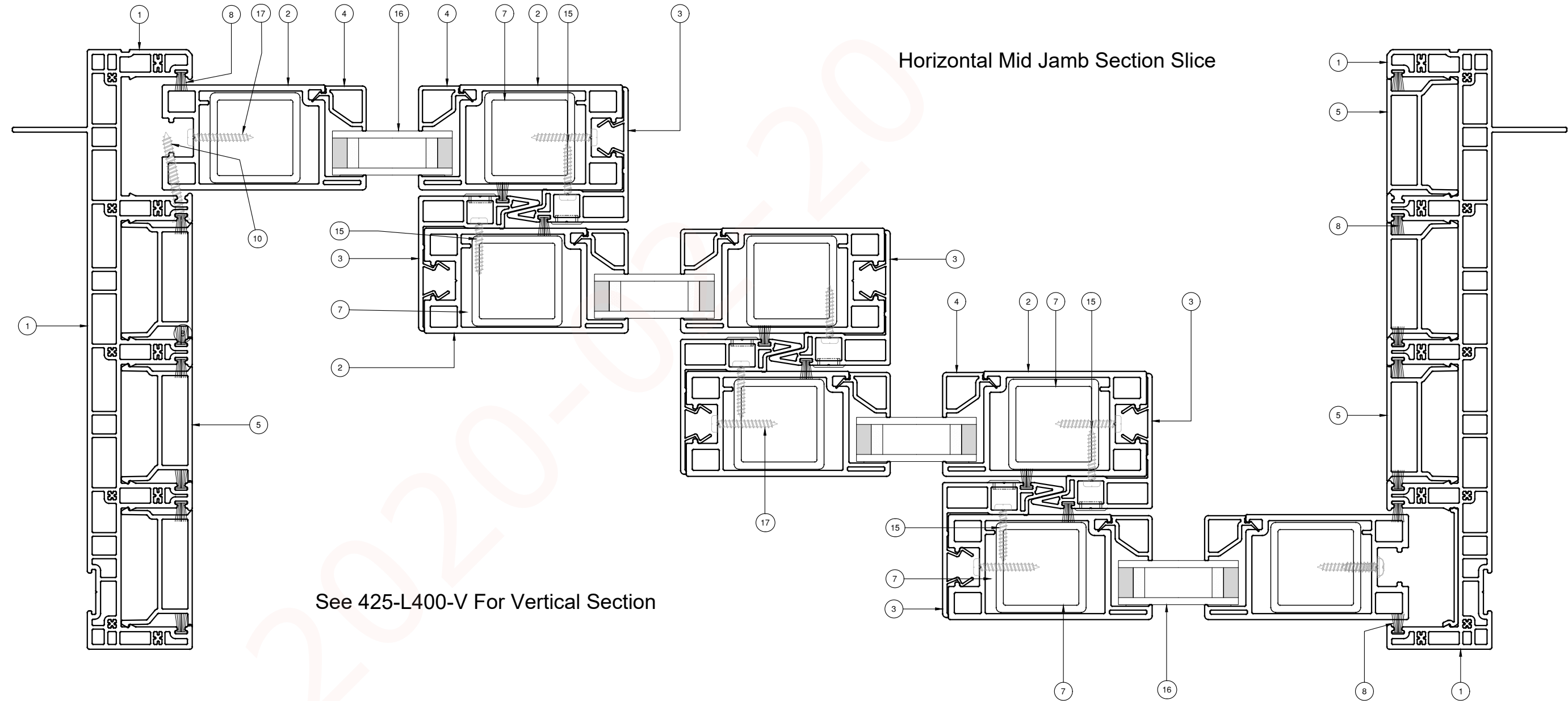
KE2747 Required For Cap option Only

425-L400-H



CUSTOMER: EFS		Project 425 Catalog	DRAWN: gmc	Layout/Drawing Name 425-L400-H		
TITLE: Medium Sash 3 Panel Horizontal Section				CHECKED:		
SHEET: B	MATERIAL: As Noted	DATE: 2019-06-12	SCALE: 0.7:1	Series 425	SHEET: /	ACAD: 425_Cda Version (002).dwg

REV.	DESCRIPTION	Date	BY
A1	First Issue	2019-06-12	gmc
B1	Updated components & Notes	2019-08-20	gmc



Parts List									
ITEM	NAME	DESCRIPTION	MATERIAL	VENDOR	ITEM	NAME	DESCRIPTION	MATERIAL	VENDOR
1	KE2722-425-107	Main Frame - 4 Track	rPVC	EFS	8	WS_188 x .340	Pile Weatherstrip	Per Spec	TBD
2	KE2498-425-D50_cap	Sash	rPVC	EFS	10	*U166	#8 x 1.5" FH Screw	SS	TBD
3	KE2545-425-D55	Sash Interlock	rPVC	EFS	11	#8 x .5 Flange Head	#8 x .5 Screw	SS	TBD
4	KE2744-425-D113	Glass Stop	rPVC	EFS	12	Plug 375	3/8" Hole Plug	HDPE	TBD
5	KE2717-425-D103	Inside Pocket Filler	rPVC	EFS	15	*U172	#6 x 7/8" PH ST SS	SS	TBD
6	KE2747-425-D116	Inside Pocket Cover	rPVC	EFS	16	IG_750_ss	IG 3/4" OA	Per Spec	TBD
7	425-S50	Stiffener For KE2498	Steel	TBD	17	*U574	#6 x 1" PH SS Screw	SS	TBD

KE2747 Required For Cap option Ony

425-L410-H

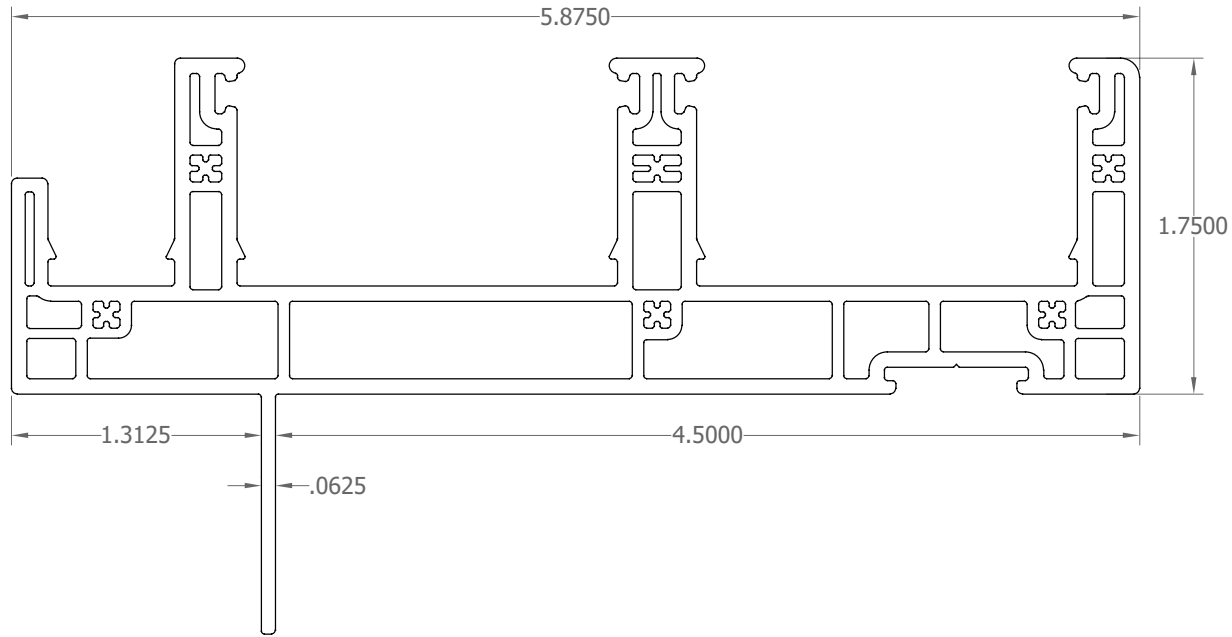


CUSTOMER: EFS		Project 425 Catalog		DRAWN: gmc		Layout/Drawing Name	
TITLE: Medium Sash 4 Panel Horizontal Section				CHECKED:		425-L410-H	
SHEET: B	MATERIAL: As Noted	DATE: 2019-06-12	SCALE: 0.55:1	Series 425	SHEET: /	PART:	DIE NUMBER: ACAD: 425_Cda Version (002).dwg



# KE2753

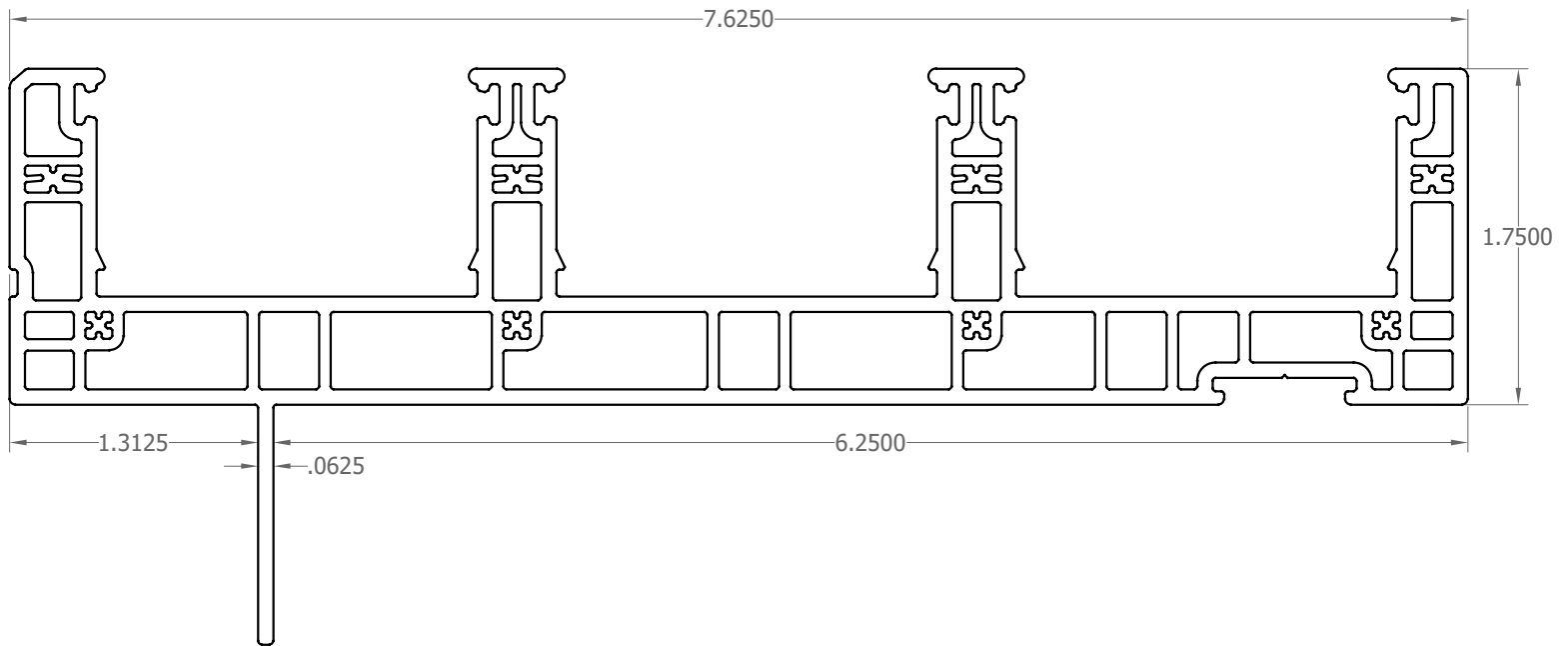
REV.	DESCRIPTION	Date	BY
D1	First Issue	2019-09-04	gmc



CUSTOMER: <b>EFS</b>				Project: <b>425 Catalog</b>	DRAWN: <b>gmc</b>	Layout/Drawing Name: <b>Model</b>		
TITLE: <b>2 Track Main Frame - Equal Pockets</b>						CHECKED:		
SHEET: <b>A</b>	MATERIAL: <b>rPVC</b>	DATE: <b>2019-09-04</b>	SCALE: <b>###</b>	Series: <b>425</b>	SHEET: <b>/</b>	PART: <b>D118</b>	DIE NUMBER: <b>KE2753</b>	ACAD: <b>425_Cda Version (002).dwg</b>

# KE2720

REV.	DESCRIPTION	Date	BY
A1	First Issue	2018-09-28	gmc
B1	Flattened outside face of frame	2019-01-31	gmc
B2	Added tower bosses, moved lower	2019-04-26	gmc
C1	Added internal web	2019-05-08	gmc



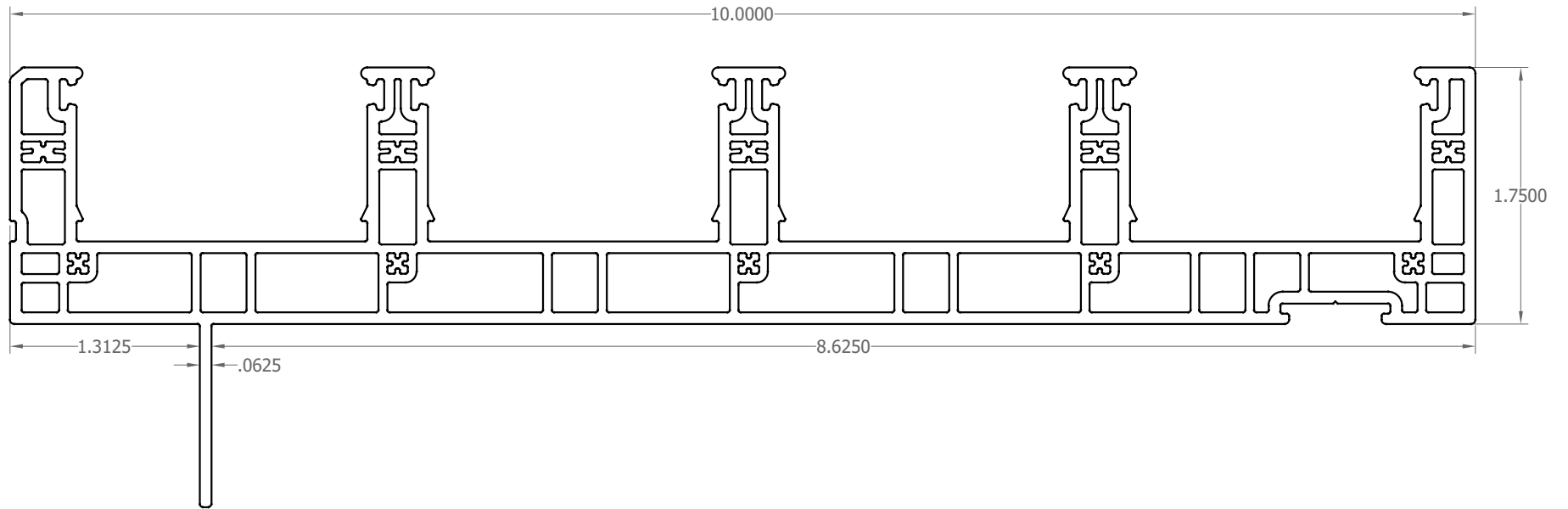
WALL THICKNESS:	
EXTERNAL	.080
INTERNAL	.052
■	.000



CUSTOMER: EFS		Project 425 Catalog	DRAWN: gmc	Layout/Drawing Name KE2720-425-D105		
TITLE: 3 Track Main Frame			CHECKED:			
SHEET: A	MATERIAL: rPVC	DATE: 2018-09-28	SCALE: 1:1	Series 425	SHEET: /	PART: D-105
						DIE NUMBER: KE2720
						ACAD: 425_Cda Version (002).dwg

# KE2722

REV.	DESCRIPTION	Date	BY
A1	First Issue	2018-09-28	gmc
B1	Flattened outside face of frame	2019-01-31	gmc
B2	Added tower bosses, moved lower	2019-04-26	gmc
C1	Added internal web	2019-05-08	gmc



WALL THICKNESS:	
EXTERNAL	.080
INTERNAL	.060
■	.000



CUSTOMER: EFS				Project 425 Catalog		DRAWN: gmc		Layout/Drawing Name KE2722-425-D107		
TITLE: 4 Track Main Frame						CHECKED:				
SHEET: A	MATERIAL: rPVC	DATE: 2018-09-28	SCALE: 0.9:1	Series 425	SHEET: /	PART: D-107	DIE NUMBER: KE2722	ACAD: 425_Cda Version (002).dwg		